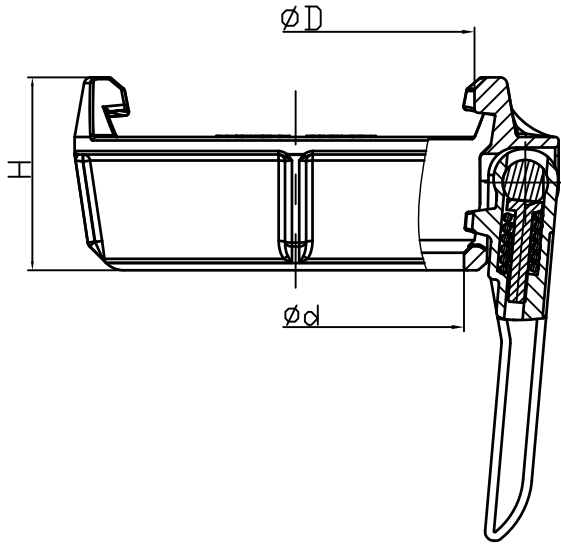
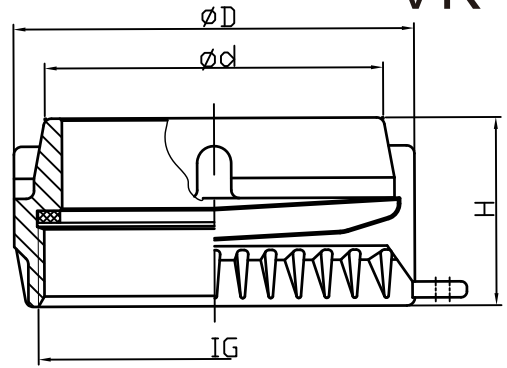


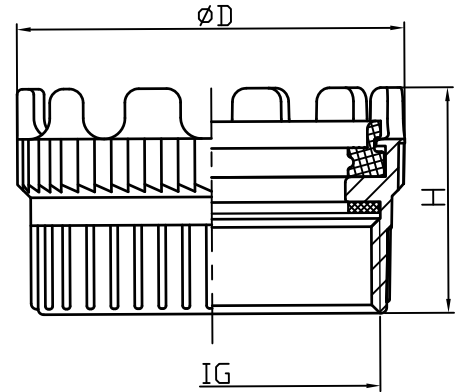
# TWM



# VK



# TWK



Name	D ( mm )	d ( mm )	H ( mm )	IG ( Female Thread )
VK50/40	67	55	38	G1 1/2"
VK50	67	55	38	G2"
VK80/65	100	84.5	47	G2 1/2"
VK80	100	84.5	47	G3"
VK100	140	110	48	G4"

Name	D ( mm )	d ( mm )	H ( mm )	IG
TWM50	77	38	42	X
TWM80	102	96	55	X
TWM100	131	123	55	X

Name	D ( mm )	d ( mm )	H ( mm )	IG ( Female Thread )
TWK50/40	70	X	40.5	G1 1/2"
TWK50	70	X	40.5	G2"
TWK80/65	101	X	52	G2 1/2"
TWK80	101	X	52	G3"
TWK100	135	X	50.5	G4"